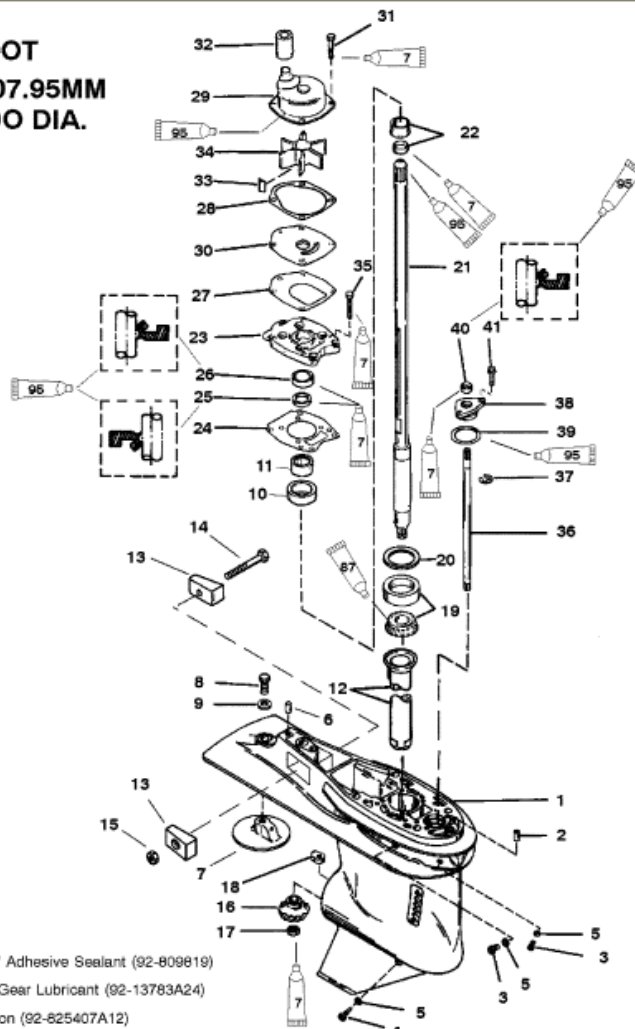


**BIGFOOT**  
**4.25 IN./107.95MM**  
**TORPEDO DIA.**



- Loctite "271" Adhesive Sealant (92-809819)
- Super Duty Gear Lubricant (92-13783A24)
- 2-4-C w/Teflon (92-825407A12)

Parts List						
Ref	Class	Part	Description	Qty	Comment	Footnote
-	1667	9011G43	GEAR HOUSING	1	(BLACK)	
-	1667	9011G44	GEAR HOUSING	1	(GRAY)	
1	1667	9011G59	GEAR HOUSING	1	(BLACK)	
1	1667	9011G60	GEAR HOUSING	1	(GRAY)	
2	17	43043	DOWEL PIN (FRONT)	1		
3	10	79953A 2	DRAIN SCREW	2		
4	22	67892A 1	SCREW (MAGNETIC)	1		
5	12	19183	WASHER-SEALING	3		16,19
6	17	43044	DOWEL PIN (REAR)	1		
7		31640 5	TRIM TAB	1		
8	10	825427	SCREW (7/16-14 X 1-1/4)	1		
9	12	45176 1	WASHER	1		
10		43040T 1	CARRIER	1		
11		NSS	NEEDLE BEARING	1		
12		43046	OILER TUBE	1		
13		826134	ANODE	2		
14	10	40003 33	SCREW	1		
15	11	826833 6	NUT	1		
16	43	44484	PINION GEAR (13 TEETH)	1		
17	11	35921	NUT	1		
18		850307	SHIFT CAM	1		
19	31	42677A 1	TAPERED ROLLER BEARING	1		
20	15	44492A 1	SHIM ASSEMBLY	AR		
21	45	854808A 1	DRIVE SHAFT ASSEMBLY	1		
22		42461A 1	WEAR SLEEVE ASSEMBLY	1		
23		43055A 4	COVER ASSEMBLY	1		19
24	27	43047 2	GASKET	1		16,19
25	26	43036	OIL SEAL (LOWER)	1		16,19
26	26	43035	OIL SEAL (UPPER)	1		16,19
27	27	43033 1	GASKET	1		16,19
28	27	817277 1	GASKET	1	(S/N-0G960500 & UP)	16,19
28	27	817277	GASKET	1	(S/N-0G960499 & BELOW)	16,19
29		817275A 2	WATER PUMP ASSEMBLY	1		19
30		817276 1	FACE PLATE	1		19
31	10	824832 7	SCREW (M6 X 30)	4		19
32		43023	SEAL	1		16,19
33	28	43037	KEY	1		19
34	47	43026 2	IMPELLER	1		19
35	10	824832 6	SCREW (M6 X 25)	6		
36		853906A 1	SHIFT SHAFT ASSEMBLY	1		
37	52	28641	E-RING	1		